

**PLEASE CHECK WWW.MOLEX.COM FOR LATEST PART INFORMATION**

**Part Number:** **0190390016**  
**Status:** **Active**  
**Description:** Avikrimp™ Snap Plug Receptacle for 14-16 AWG Wire, Nylon, Fits Male Plug Diameter 3.96mm (.156"), Mylar Tape Carrier

**Documents:**

[Drawing \(PDF\)](#) [RoHS Certificate of Compliance \(PDF\)](#)

**Agency Certification**

CSA LR18689  
 UL E152602

**General**

Product Family Quick Disconnects  
 Series [19039](#)  
 Comments Fits Male Plug Dia. 3.96mm (.156")  
 Crimp Quality Equipment Yes  
 Product Name Avikrimp™  
 Type Snap Receptacle

**Physical**

Barrel Type Closed  
 Color - Resin Natural  
 Flammability 94V-0  
 Gender Female  
 Glow-Wire Compliant No  
 Insulation Nylon (PA)  
 Lock to Mating Part None  
 Material - Metal Brass  
 Material - Plating Mating Tin  
 Material - Plating Termination Tin  
 Material - Resin Nylon  
 Orientation Straight  
 Packaging Type Adhesive Tape on Reel  
 Plating min: Mating (µin) 160  
 Plating min: Mating (µm) 4  
 Plating min: Termination (µin) 160  
 Plating min: Termination (µm) 4  
 Tab Thickness N/A  
 Tab Width N/A  
 Temperature Range - Operating -40°C to +105°C  
 Termination Interface: Style Crimp or Compression  
 Wire Insulation Diameter 3.81mm (.150") max.  
 Wire Size AWG 14, 16  
 Wire Size mm² 1.00 - 2.50

**Electrical**

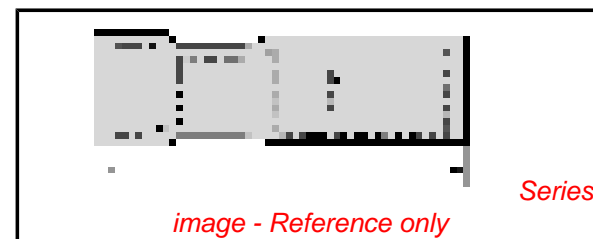
Voltage - Maximum 600V

**Material Info**

Old Part Number BRB-8156NT

**Reference - Drawing Numbers**

Sales Drawing SD-19039-001



**EU RoHS**

**ELV and RoHS Compliant**  
**REACH SVHC**  
 Not Reviewed  
**Halogen-Free Status**  
**Not Reviewed**

**China RoHS**



**Need more information on product environmental compliance?**

Email [productcompliance@molex.com](mailto:productcompliance@molex.com)  
 For a multiple part number RoHS Certificate of Compliance, [click here](#)

Please visit the [Contact Us](#) section for any non-product compliance questions.

**Search Parts in this Series**

[19039Series](#)

**Application Tooling | FAQ**

*Tooling specifications and manuals are found by selecting the products below. Crimp Height Specifications are then contained in the Application Tooling Specification document.*

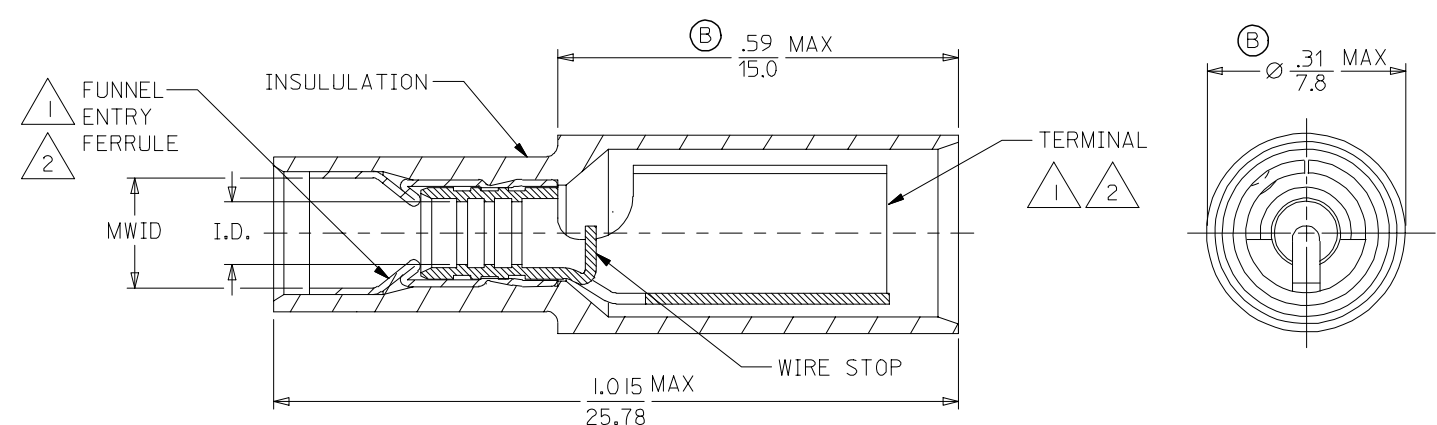
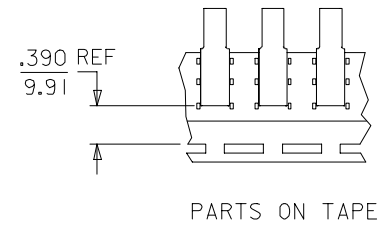
**Global**

Description	Product #
Crimp Dies for MTA-100 Tape Applicator used in 3BF Press, MTA-105 Tape Applicator used in TM-2000™ Press, and ATP-301 Air Crimping Press for Mylar Tape Mounted Terminals	<a href="#">0192880113</a>
Mini-Mac™ Applicator	<a href="#">0638853700</a>

This document was generated on 06/08/2010

**PLEASE CHECK [WWW.MOLEX.COM](http://WWW.MOLEX.COM) FOR LATEST PART INFORMATION**

MATERIAL NUMBER	ENGINEERING NUMBER	TAPE MATERIAL NUMBER	TAPE ENGINEERING NUMBER	WIRE RANGE AWG MM <sup>2</sup>	INSULATION HOUSING MATERIAL	INSULATION COLOR	FITS MALE PLUG DIA.	I.D. MIN.	MWID MAX
190390001	BRA-8156	190390026	BRA-8156T	22-18 0.25-1.3	PVC	RED	.156/(3.96)	.069/(1.75)	.128/(3.25)
190390002	BRA-8156N	190390015	BRA-8156NT	22-18 0.25-1.3	NYLON	LIGHT RED	.156/(3.96)	.069/(1.75)	.128/(3.25)
190390003	BRA-8156NDK	---	---	22-18 0.25-1.3	NYLON	DARK RED	.156/(3.96)	.069/(1.75)	.128/(3.25)
190390004	BRA-8180	190390029	BRA-8180T	22-18 0.25-1.3	PVC	RED	.180/(4.57)	.069/(1.75)	.128/(3.25)
190390005	BRA-8180N	190390017	BRA-8180NT	22-18 0.25-1.3	NYLON	RED	.180/(4.57)	.069/(1.75)	.128/(3.25)
190390006	BRB-8156	190390023	BRB-8156T	16-14 1.0-2.6	PVC	BLUE	.156/(3.96)	.091/(2.31)	.150/(3.81)
190390007	BRB-8156N	190390016	BRB-8156NT	16-14 1.0-2.6	NYLON	LIGHT BLUE	.156/(3.96)	.091/(2.31)	.150/(3.81)
190390008	BRB-8156NDK	---	---	16-14 1.0-2.6	NYLON	DARK BLUE	.156/(3.96)	.091/(2.31)	.150/(3.81)
190390009	BRB-8180	190390030	BRB-8180T	16-14 1.0-2.6	PVC	BLUE	.180/(4.57)	.091/(2.31)	.150/(3.81)
190390010	BRB-8180N	190390018	BRB-8180NT	16-14 1.0-2.6	NYLON	BLUE	.180/(4.57)	.091/(2.31)	.150/(3.81)



- NOTES:
- 1. MATERIAL: BRASS
  - 2. FINISH: ELECTRO-TIN PLATING
  - 3. INSULATION MATERIAL: SEE CHART
  - 4. MWID - MAXIMUM WIRE INSULATION DIAMETER

### SALES DRAWING

REVISED DIMENSION EC NO: ETC2005-0122 DRAWN BY: BENDERLE 2005/02/15 CHKDR: DEROSS 2005/02/15 APPR: DEROSS 2005/02/15	QUALITY SYMBOLS ▽=0 ▽=0	GENERAL TOLERANCES (UNLESS SPECIFIED)		DIMENSION STYLE IN/MM		SCALE NONE	DESIGN UNITS INCH	THIRD ANGLE PROJECTION	
		4 PLACES	± ---	± ---	DRAWN BY BRE	DATE 2002/07/15	TITLE AVIKRIMP FEMALE BULLET RECEPTACLE		
		3 PLACES	± ---	± .005	CHECKED BY HEB	DATE 2002/07/15			
		2 PLACES	± 0.13	± .01	APPROVED BY RWD	DATE 2002/07/15	MATERIAL NO. SD-19039-001		
1 PLACE	± 0.25	± ---	ANGULAR ± ---°		MATERIAL NO. SD-19039-001			SHEET NO. 1 OF 1	
DRAFT WHERE APPLICABLE MUST REMAIN WITHIN DIMENSIONS				THIS DRAWING CONTAINS INFORMATION THAT IS PROPRIETARY TO MOLEX INCORPORATED AND SHOULD NOT BE USED WITHOUT WRITTEN PERMISSION					